

PCS Band Dual Polarization

Horizontal 65° 15.65dBi


PCS-DPH-65-13.5(T0 / T2 / T6)

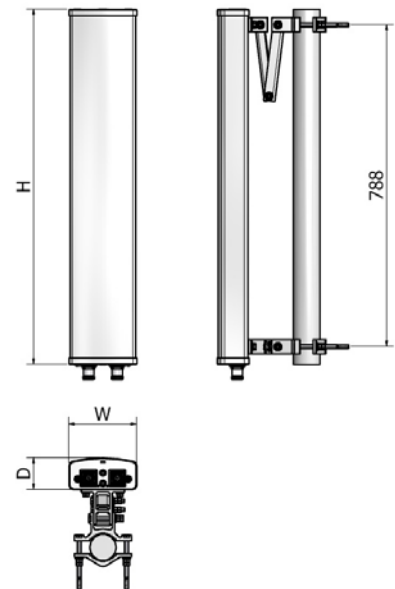
i. Electrical Specification

Frequency Range		1750 ~ 1870 MHz
Band Width		120 MHz
Gain		≥ 15.65 dBi ± 1dB (0°, 2°, 6°)
Polarization		± 45° SLANT
Beam width	Horizontal	65° ± 5°
	Vertical	12° ± 2°
F-B ratio	Horizontal (@180 ± 30°)	≥ 25 dB (0°, 2°, 6°)
	Vertical (@180 ± 60°)	≥ 25 dB (0°, 2°, 6°)
VSWR		≤ 1.3 : 1
Impedance		50 Ω
1st Upper Side lobe level		≥ 13 dB (0°, 2°, 6°)
Maximum input power		≥ 200 W

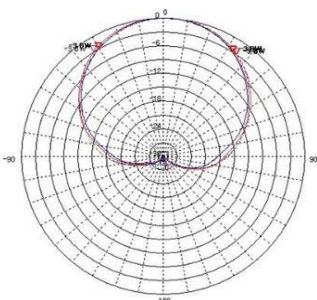


ii. Mechanical Specification

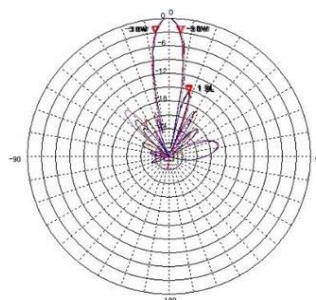
Radom Dimension (H x W x D)	870 x 161 x 73 mm
Weight (Include bracket)	≤ 6 kg
Connector Type	7/16 DIN
Withstand Wind Pressure	60 m/sec
Radom Material (color)	A.S.A. (Cool Gray 4C) 
Mechanical Down Tilt	0° ~ 20°
Temperature	-40 °C ~ 70 °C
Packing Size (H x W x D)	-
Packing Weight	-



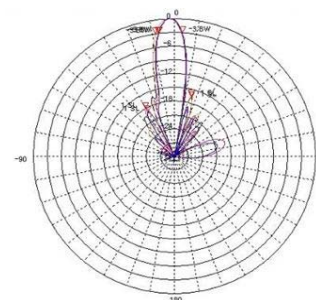
iii. Radiation Pattern



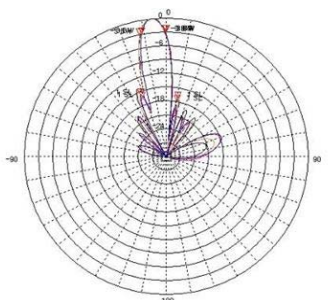
Horizontal Pattern



0°Tilt



2°Tilt



6°Tilt

Vertical Pattern